

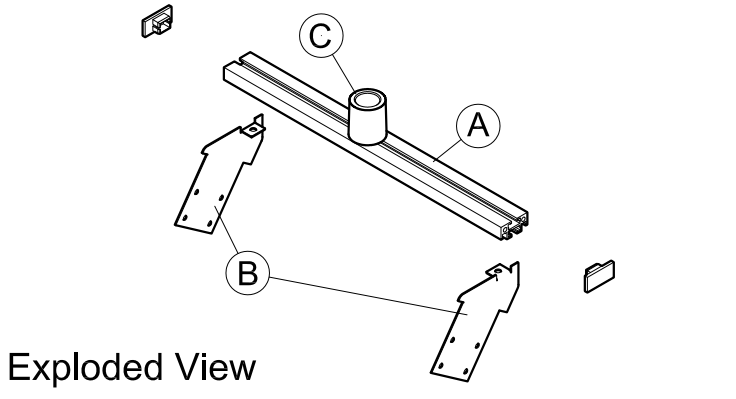
# Mounting Rail - Info Sheet

The Mounting Rail assembly is used for mounting speaker platforms and lcd arms to the Plan Series consoles. This NEW versatile assembly replaces the old "LCD Arm mounting block".

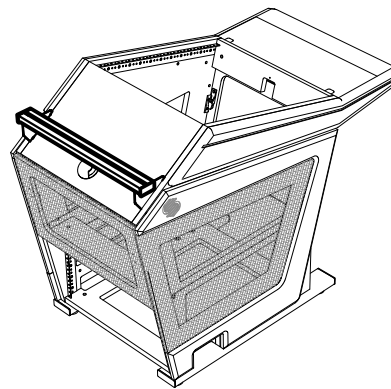
The aluminum slotted rail (A) is attached to the console "Rack Pod" by installing the rail brackets (B). Various speaker and display arms can be attached to the rail by installing one or more "Mounting Cups" (C) to the rail.

The Mounting Rail assembly comes complete with all mounting hardware, trim caps and assembly instructions. The "Mounting Cup" (C), is included in each "Speaker Platform" or "LCD arm" assembly.

Shown below are some of the rail configurations. More detailed configuration options can be viewed when navigating through the specific Plan Series "build your console" web pages. Each "Plan Series" console page includes one or more "LCD MONITOR CLEARANCE GUIDES" that clearly illustrate the various sizes and location options of the Mounting Rails.

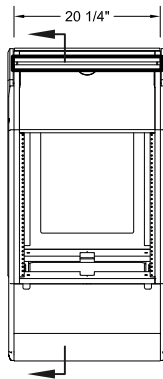


Exploded View

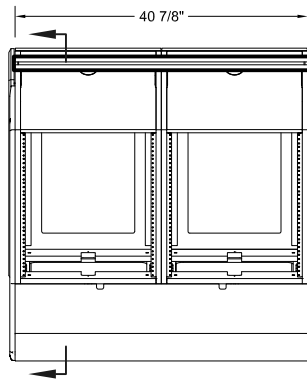


One Bay Rail

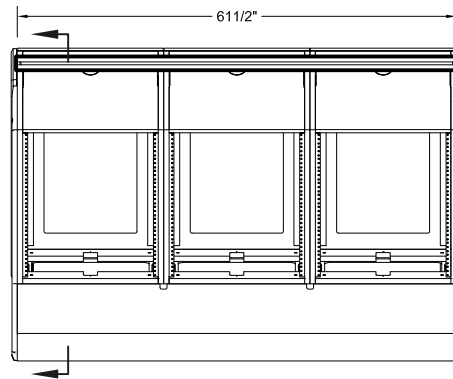
Shipping Info		
Rack Span	Weight	Boxes
1 Bay	4 lbs	1 Box
2 Bay	8 lbs	1 Box
3 Bay	10 lbs	1 Box



1 Bay

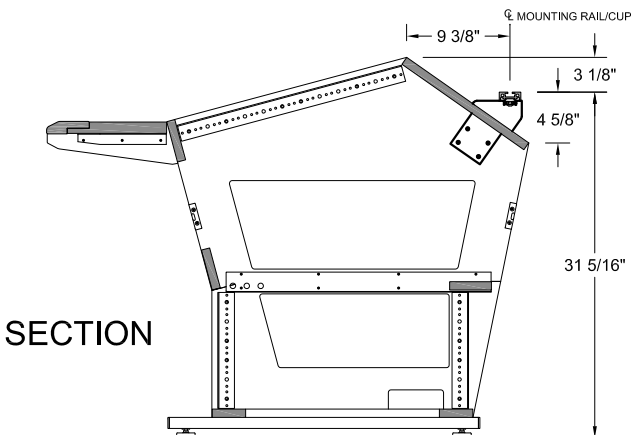


2 Bay



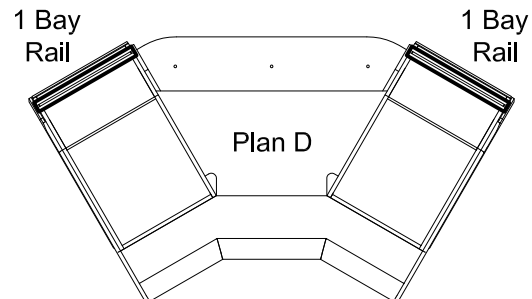
3 Bay

More detailed configuration options can be viewed when navigating through the specific Plan Series "build your console" web pages.



SECTION

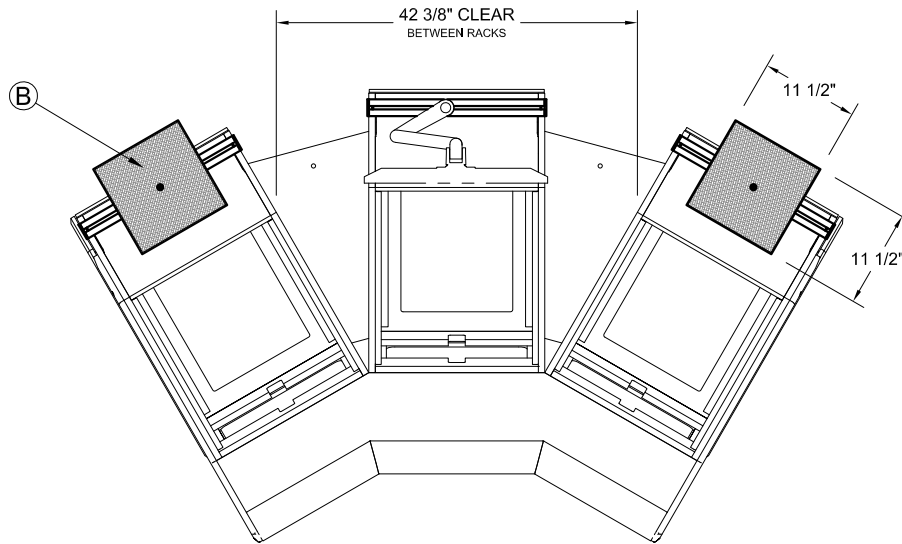
Can also be used on Plan C, D, E and F. Please call for information.



# LCD Monitor and Speaker Clearance Guide

## Plan C - Rail Mount Pedestal Speaker Platform

Not recommended for speakers over  
13"D x 20"W or over 30lbs  
(33cm x 50.8cm or over 13.5kg)

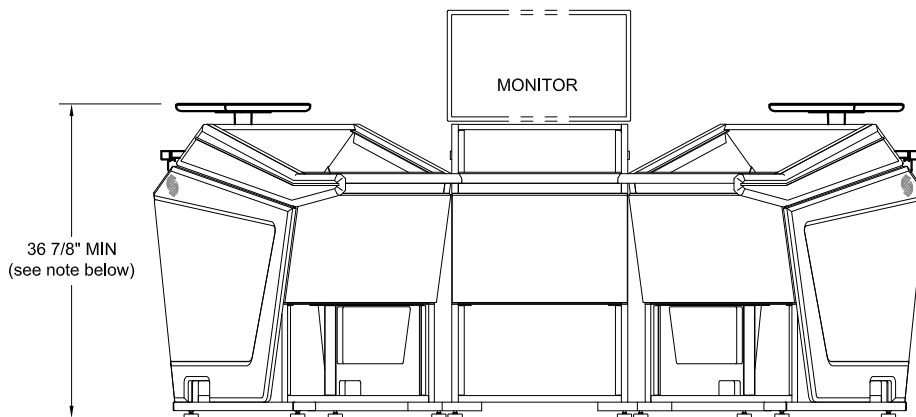


PLAN VIEW

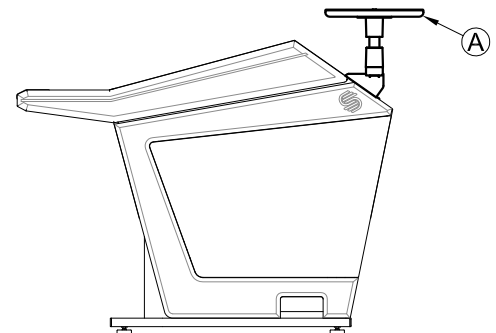
### Features

- A) Low resonance 3/4" mdf with a Durable powder coated finish.
- B) 3/32" "Non-Skid" rubber surface.

Height is not adjustable  
See note below.



FRONT VIEW



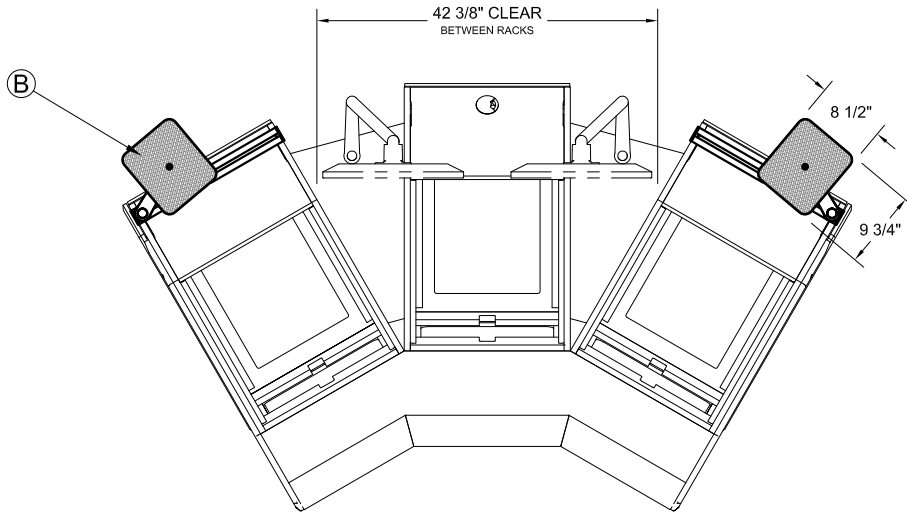
SIDE VIEW

Note: When ordering the Pedestal Speaker Platform contact Sterling Modular with your speaker specifications. We will cut the support pole to the correct height. In most cases the Tweeter is the Acoustical Center of the speaker and should align with the ear height above the floor, usually 48", or a floor to ear measurement at your seating position.

# LCD Monitor and Speaker Clearance Guide

## Plan C - Rail Mount Swing Arm Speaker Platform

Not recommended for speakers over  
10"D x 9"W or over 17lbs  
(25cm x 48cm or over 7.7kg)

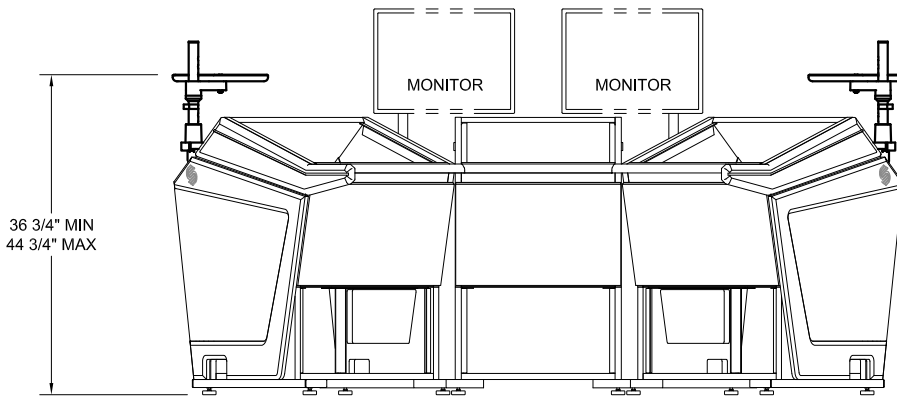


FRONT VIEW

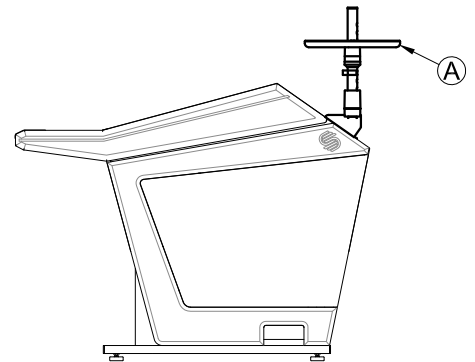
## Features

- A) Low resonance 3/4" mdf with a Durable powder coated finish.
- B) 3/32" "Non-Skid" rubber surface.

Speaker platform is height adjustable.



PLAN VIEW

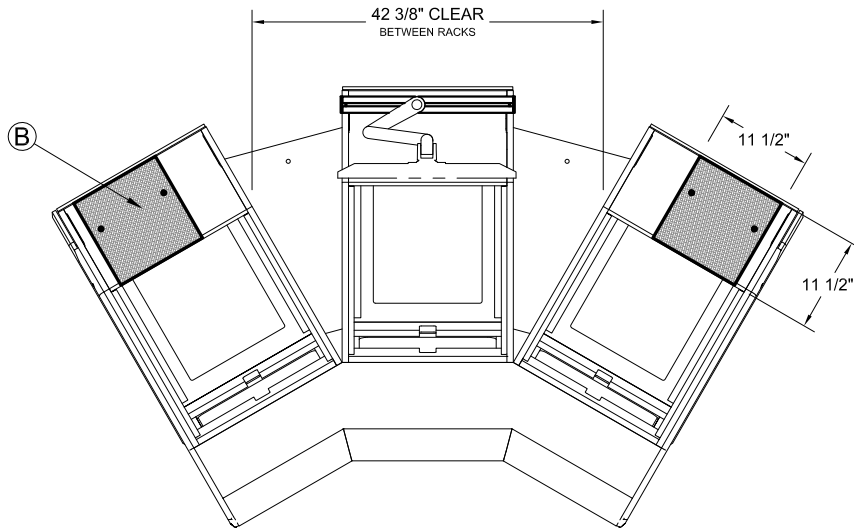


SIDE VIEW

# LCD Monitor and Speaker Clearance Guide

## Plan C - Bridge Mount Speaker Platform - 11 1/2 x 11 1/2

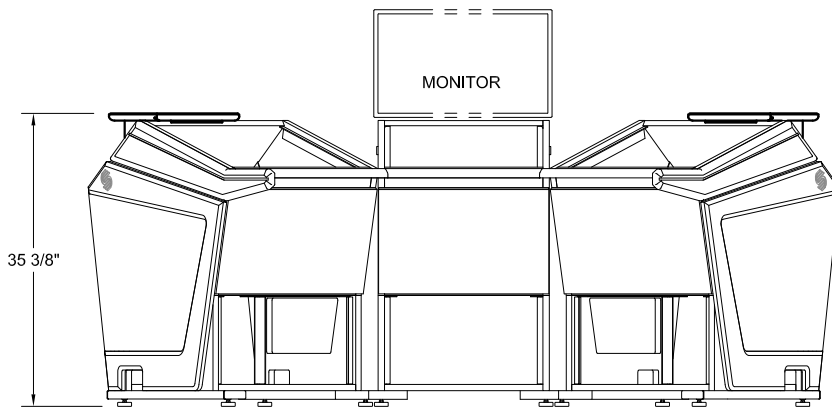
Not recommended for speakers over  
13"D x 20"W or over 30lbs  
(33cm x 50.8cm or over 13.5kg)



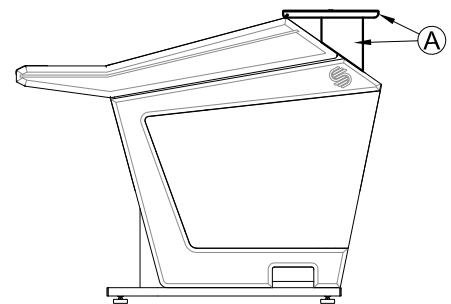
PLAN VIEW

### Features

- A) Low resonance 3/4" mdf with a Durable powder coated finish.
- B) 3/32" "Non-Skid" rubber surface.



FRONT VIEW

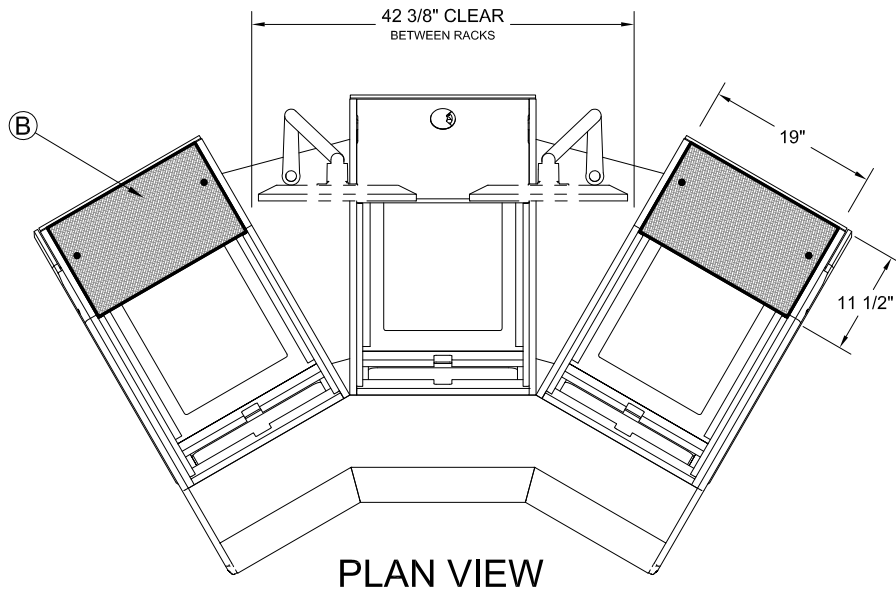


SIDE VIEW

# LCD Monitor and Speaker Clearance Guide

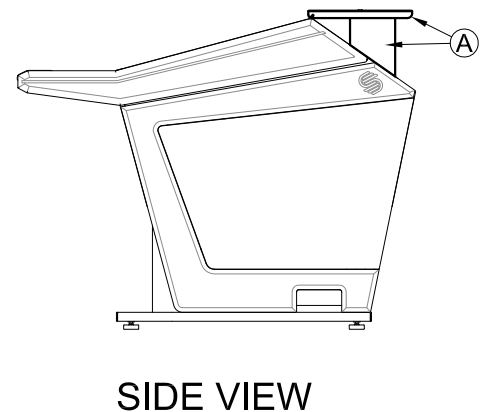
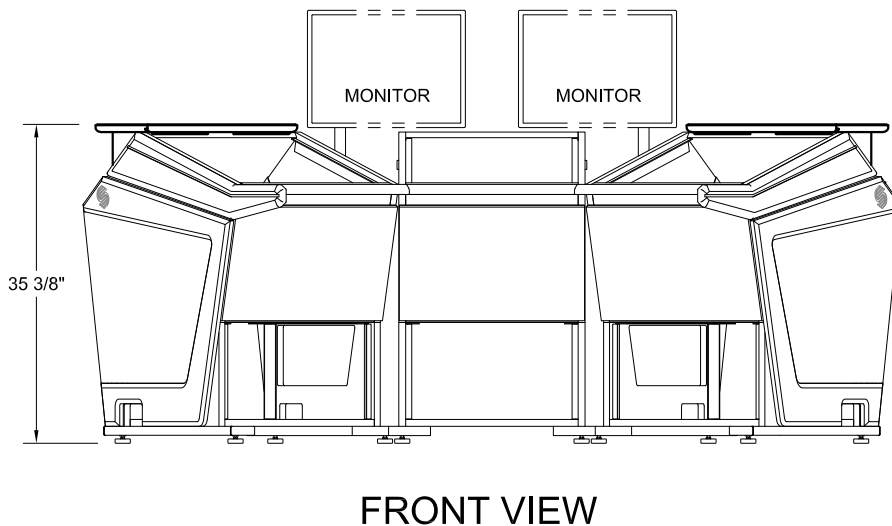
## Plan C - Bridge Mount Speaker Platform - 11 1/2 x 19

Not recommended for speakers over  
14"D x 22"W or over 50lbs  
(84cm x 129cm or over 22.5kg)

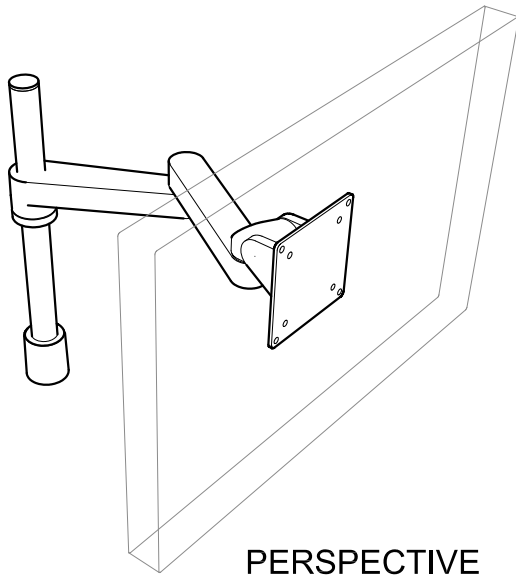


### Features

- A) Low resonance 3/4" mdf with a Durable powder coated finish.
- B) 3/32" "Non-Skid" rubber surface.



# Articulating Arm



## CAPABILITIES

Horizontal range - 16"

Pole Height - 14" to 28"

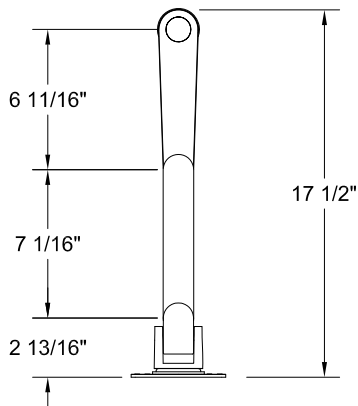
Monitor tilt - 200 degrees

Monitor pivot - Landscape to portrait

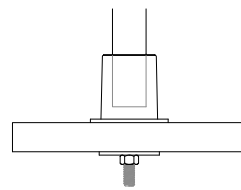
Monitor compatibility - VESA 75mm and 100mm

Monitor weight - Up to 40 lbs per monitor

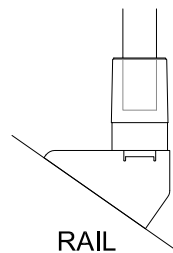
PERSPECTIVE



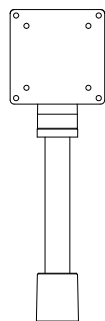
PLAN VIEW



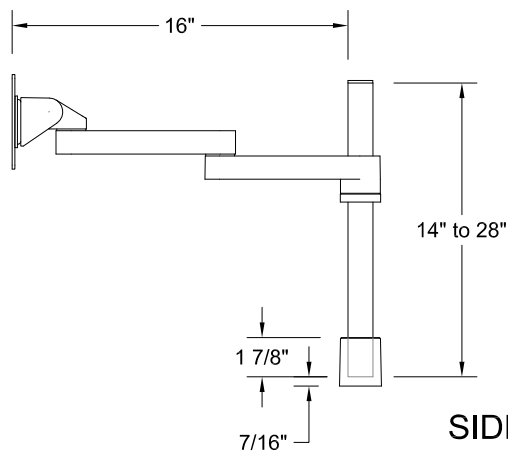
SURFACE  
MOUNT



RAIL  
MOUNT

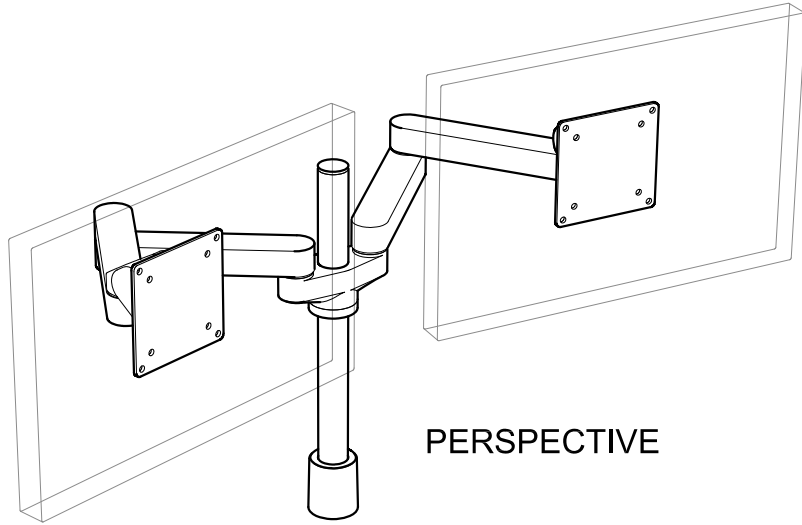


FRONT VIEW



SIDE VIEW

# Dual Articulating Arm



PERSPECTIVE

## CAPABILITIES

Horizontal range - 17 1/2"

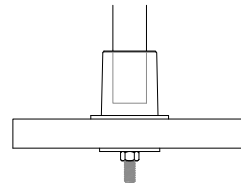
Pole Height - 14" to 28"

Monitor tilt - 200 degrees

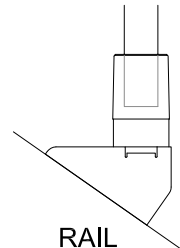
Monitor pivot - Landscape to portrait

Monitor compatibility - VESA 75mm and 100mm

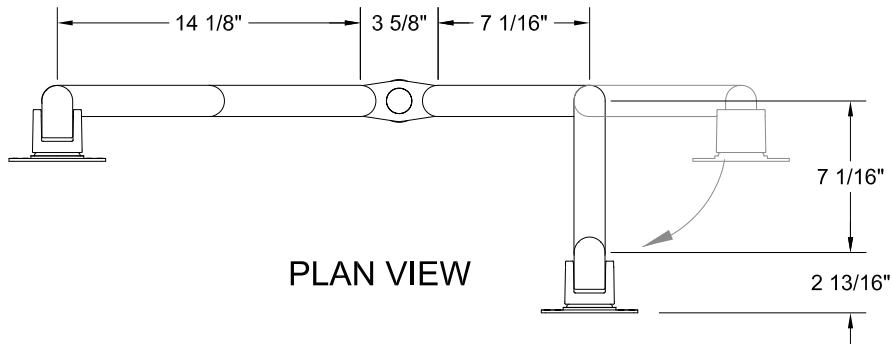
Monitor weight - Up to 40 lbs per monitor



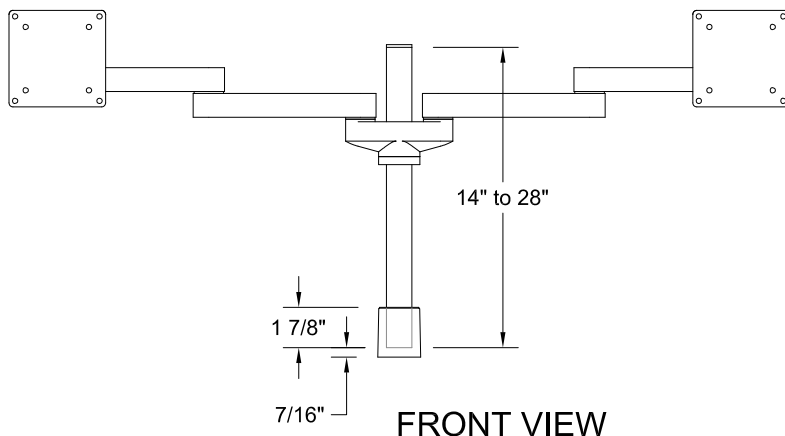
SURFACE  
MOUNT



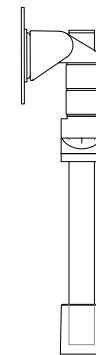
RAIL  
MOUNT



PLAN VIEW

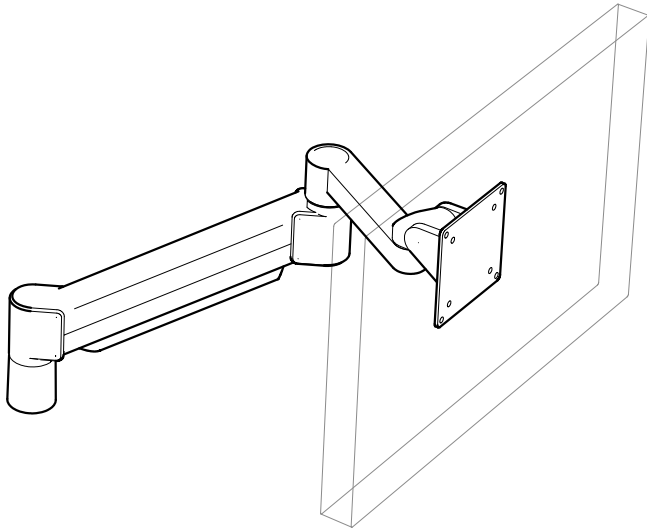


FRONT VIEW



SIDE VIEW

# Radial Arm



## CAPABILITIES

Vertical range - 16" (+/-8" from horizontal)

Horizontal range - 24"

Rotation - 360 degrees at three joints

Monitor tilt - 200 degrees

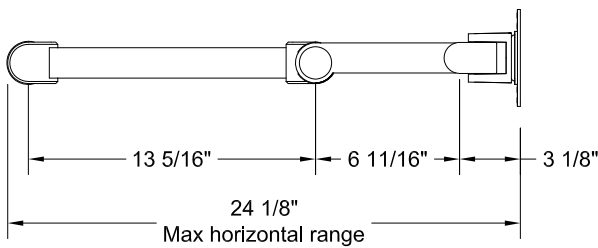
Monitor pivot - Landscape to portrait

Monitor compatibility - VESA 75mm and 100mm

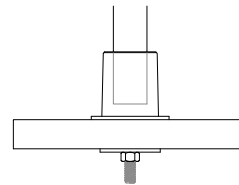
Cable management - Cables are concealed in arm

Monitor weight	Model number
1 - 14.5 lbs	LCD - 1R5
9 - 24 lbs	LCD - 1R8
12 - 29 lbs	LCD - 1R10

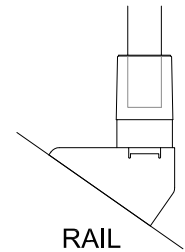
PERSPECTIVE



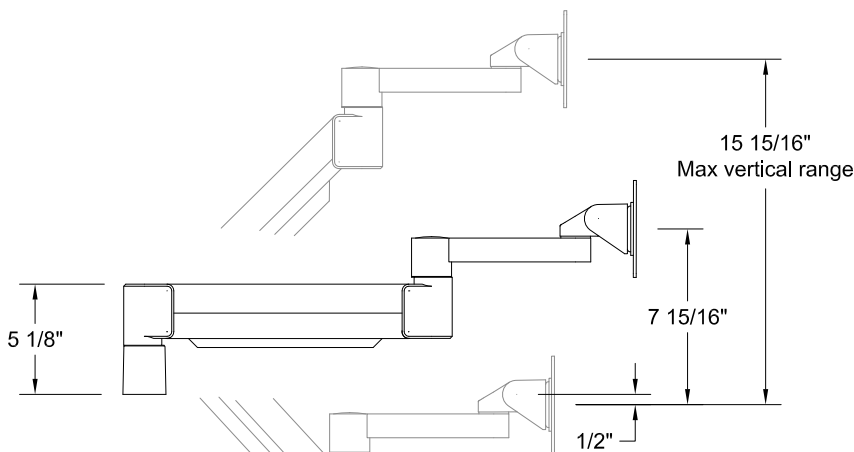
PLAN VIEW  
(Horizontal range)



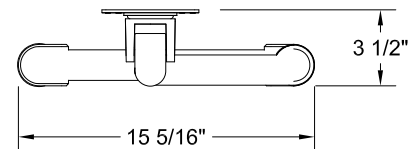
SURFACE  
MOUNT



RAIL  
MOUNT



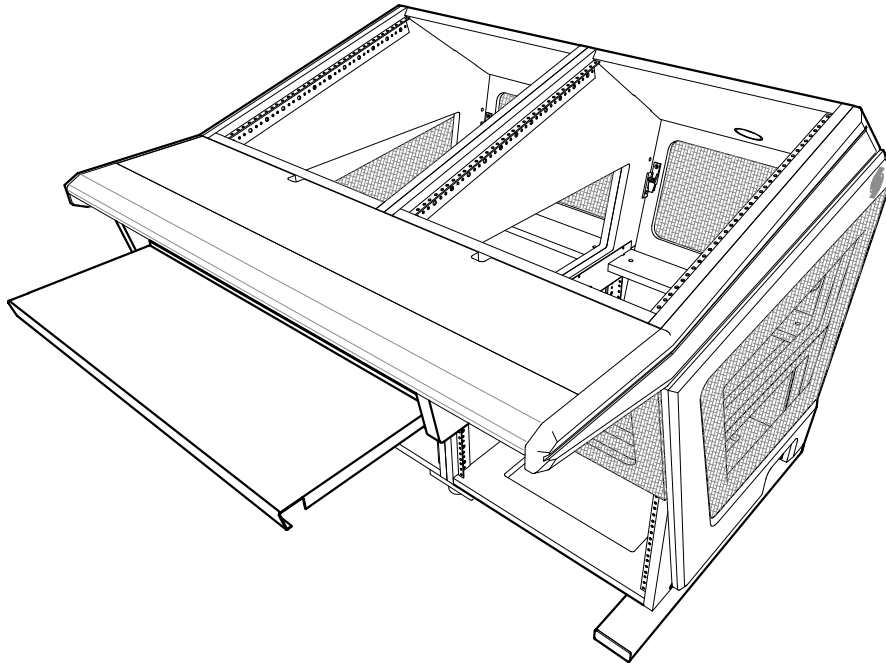
SIDE VIEW  
(Vertical range)



PLAN VIEW  
(Arm folded)



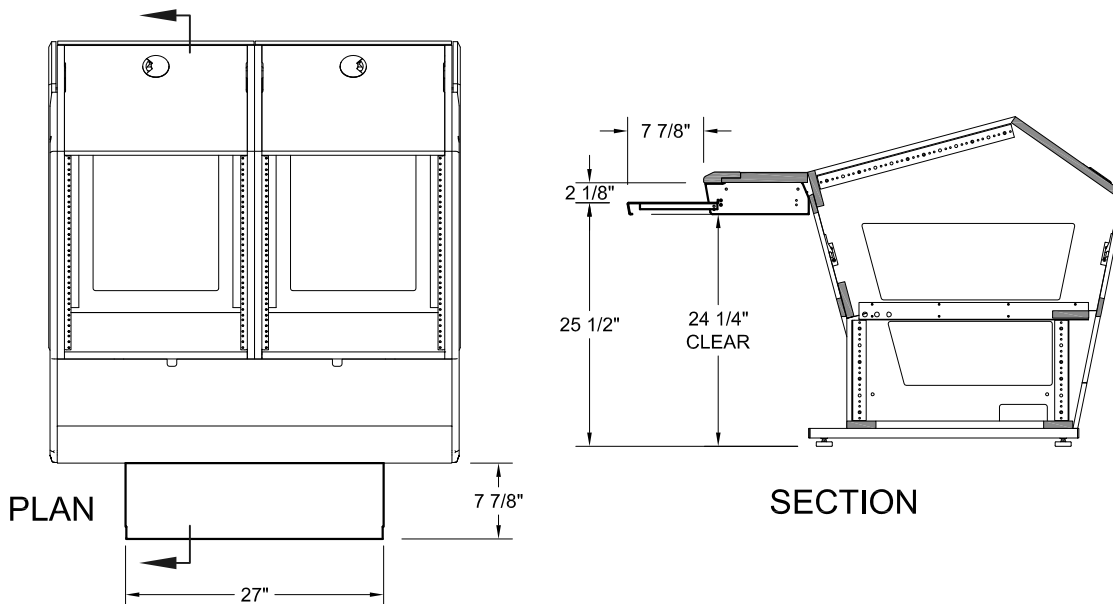
# Plan Series - Sliding Keyboard Tray Specifications



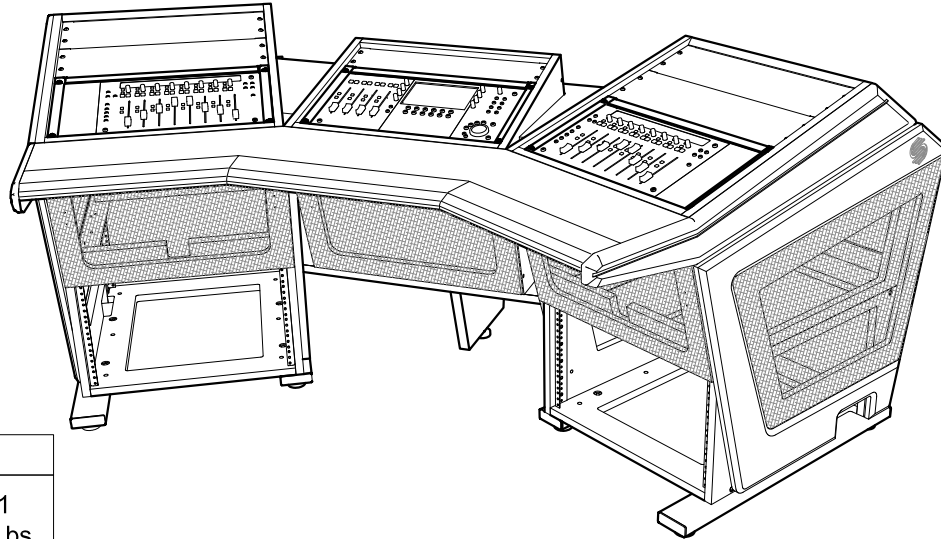
## Shipping Info

Number of Boxes - 1  
Shipping weight - 15 Lbs

- 1) Shelf surface is 27" x 9" with 2" of clear height (adjustable to 2 1/2") to accommodate almost any computer keyboard and mouse (or trackball).
- 2) Slide mechanism is rated at 95 lbs. Slides out smoothly and "auto retracts" into final position.
- 3) Slide supports are 1" thick MDF and coated with a durable-waterborn texture finish.
- 4) Keyboard shelf is 16ga. steel with a black powder coat finish.
- 5) This assembly can be easily retrofitted to our Plan A,B,C,D,E and F Consoles.  
(excluding consoles with a "Drop-Down" Fixed Keyboard Shelf).
- 6) This assembly can also be fitted to any desk. It requires only 10" of depth.

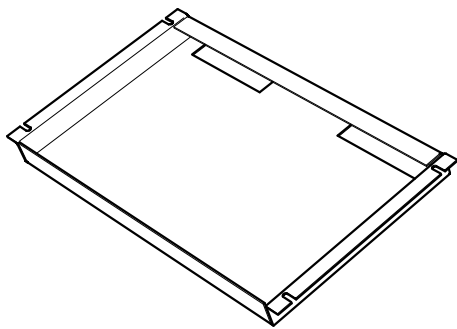


# Avid Artist Rack Tray Specifications



## Shipping Info

Number of Boxes - 1  
Shipping weight - 12 Lbs



This 6 RU Unit tray is ideal for mounting the Avid Artist Series Control and Mix components into any Rack Space. The Rack Tray has a black powder coated finish and is slotted to allow easy routing of the provided 7' bootless crossover cable.

