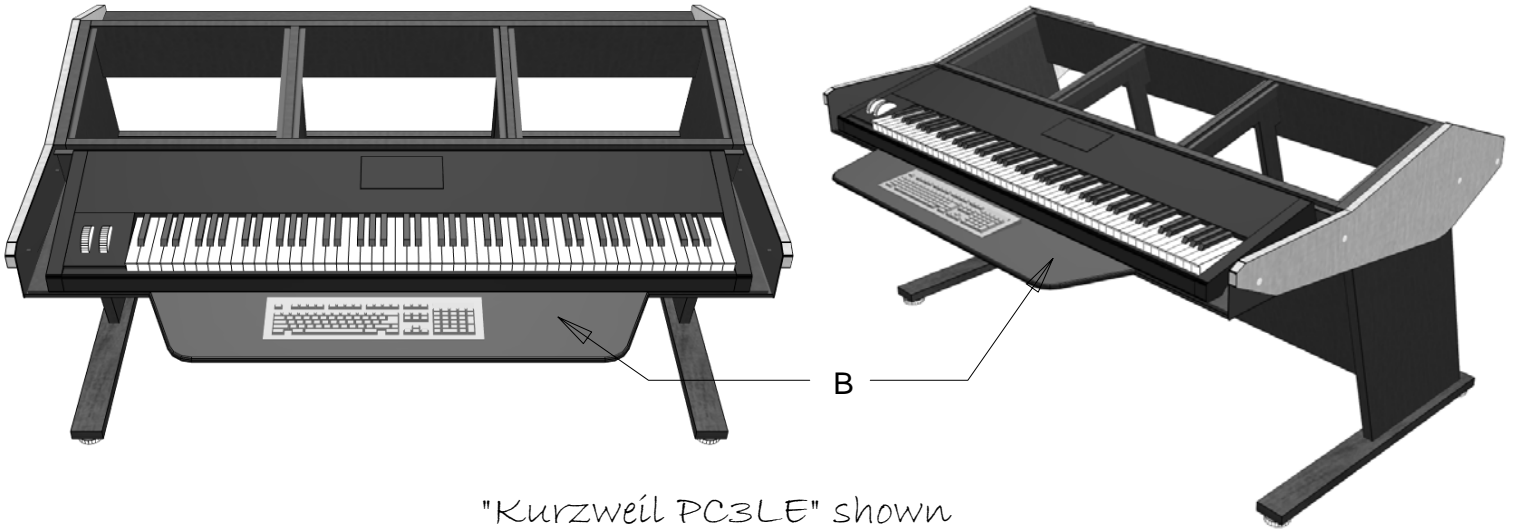


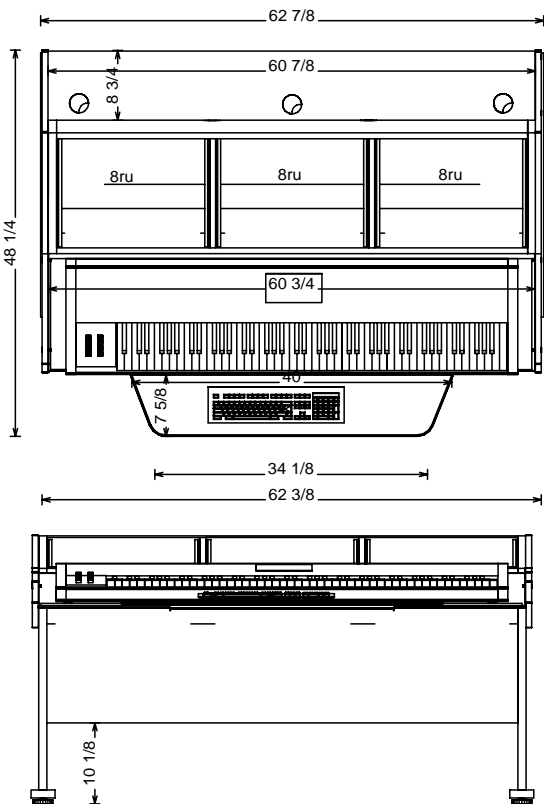
Multi - Station

3 Bay / Composer / Workstation

(For Keyboards up to 5 1/2"H x 15"Dx 60 3/4"L)



"Kurzweil PC3LE" shown



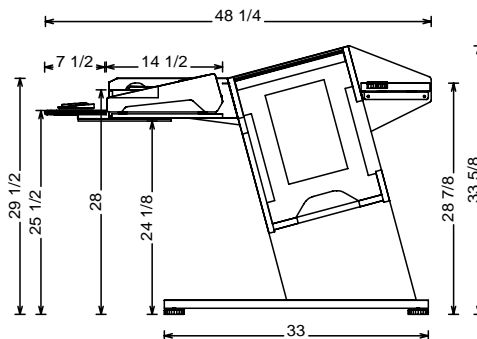
The "Workstation" version of the Multi-Station is configured for keyboards that are 10 1/2" or more in depth.

*This configuration includes the sliding "qwerty" keyboard tray (B), which adjusts in and out to fit snugly against the keyboard / workstation.

*The "3 Bay / Composer / Workstation" console can accommodate any keyboard that measures (up to)...5 1/2" high x 10 1/2" to 15" deep x (up to) 60 3/4" long.

*The rear shelf includes 2 wire grommets and 3 pre drilled holes for optional LCD Arms and speaker platforms.

To be sure that you get the configuration that best suits your needs, please provide us with the make and model of your keyboard and we will provide a dimensioned drawing for your approval.



Sterling Modular Systems,inc
704 East 4th Street, Boyertown PA 19512
610-369-5802
www.sterlingmodular.com

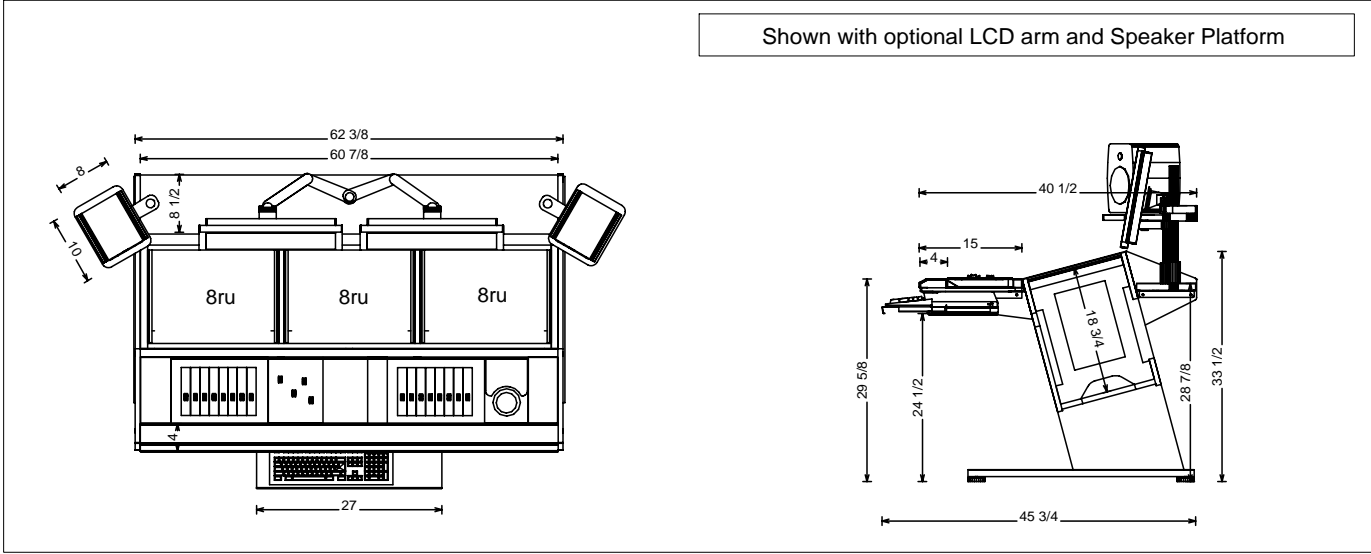


The Multi - Station

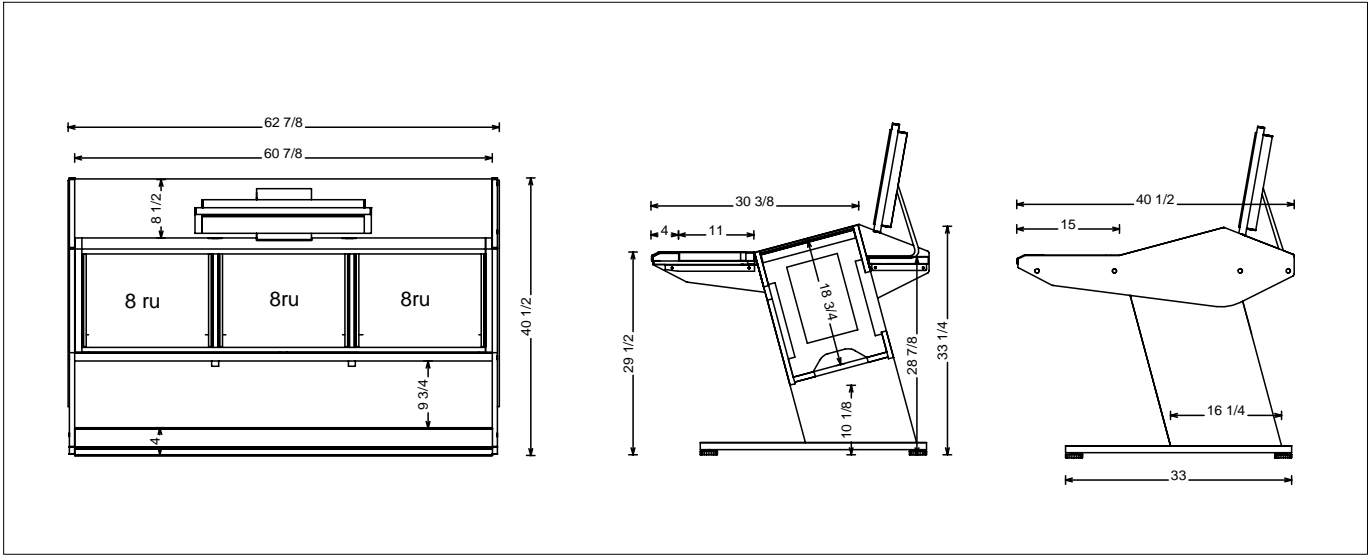
The 3 Bay / Footprint & Dimensions

from Sterling Modular

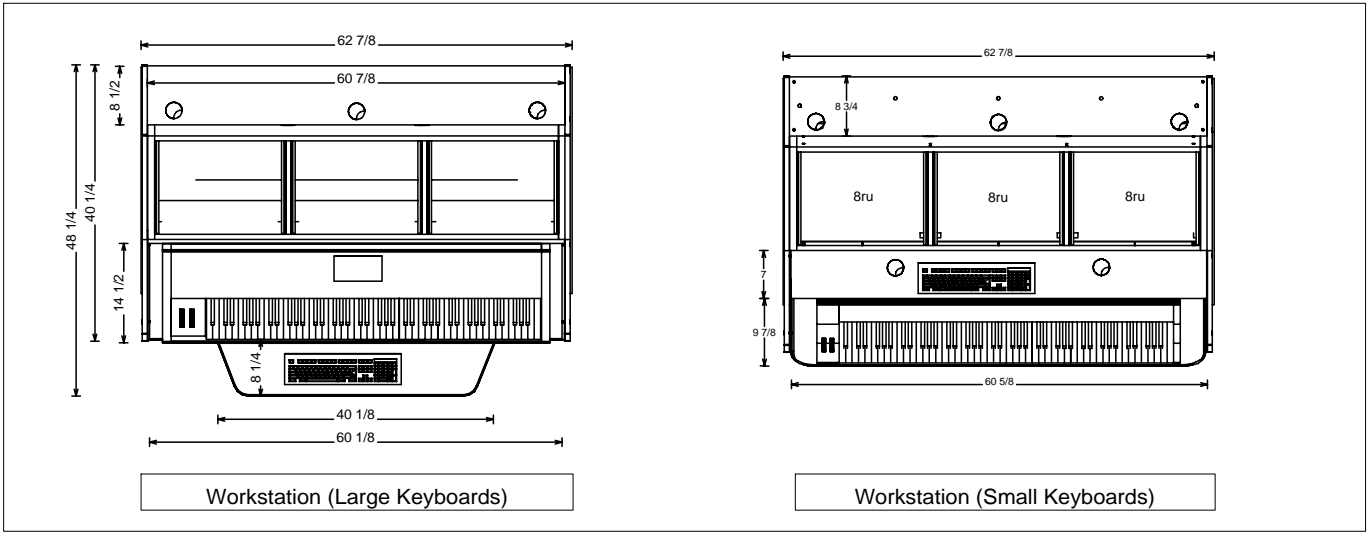
Avid Artist Series



Edit / Mix / Master



Compose / Record



Choose your weapon