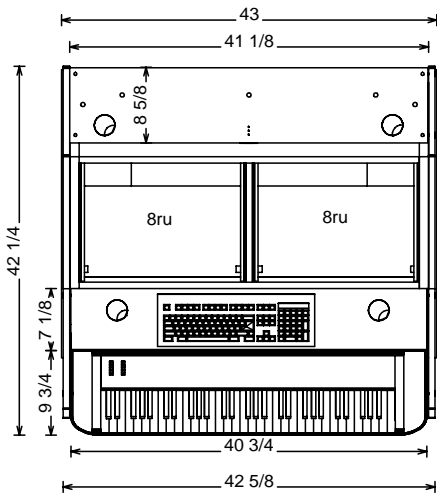
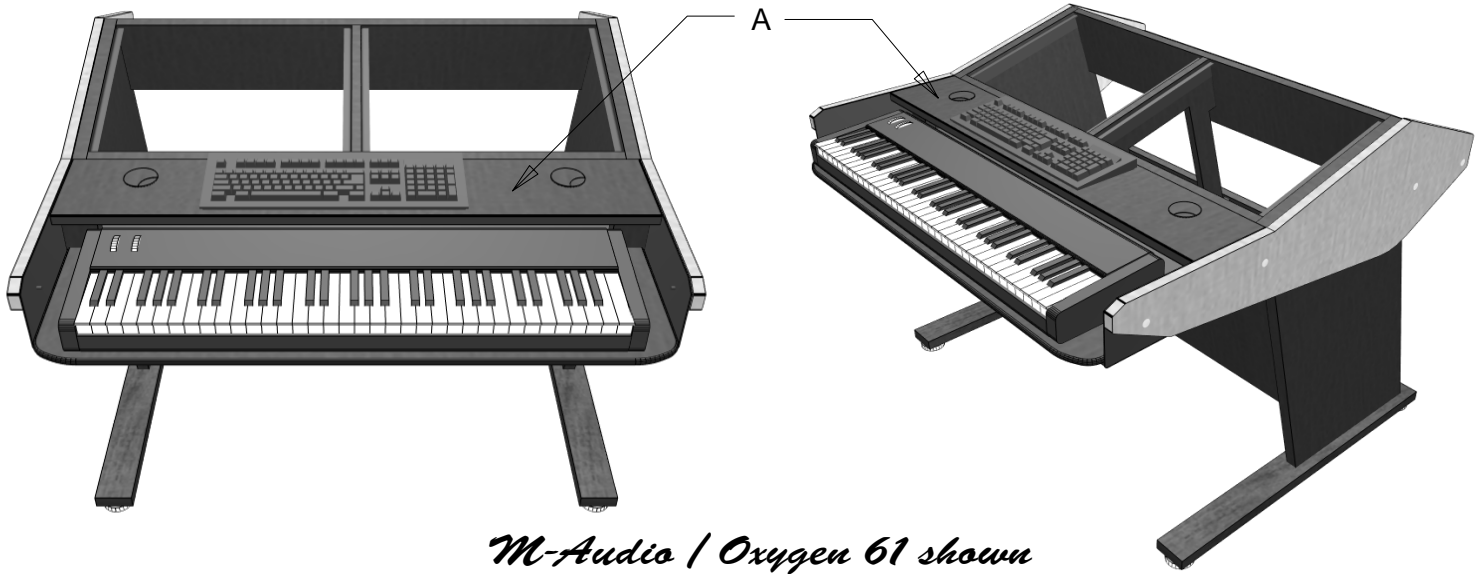


# Multi - Station

## 2 Bay / Composer / Controller

For keyboards up to 5 1/2"h x 10 1/2"d x 40 3/4"l



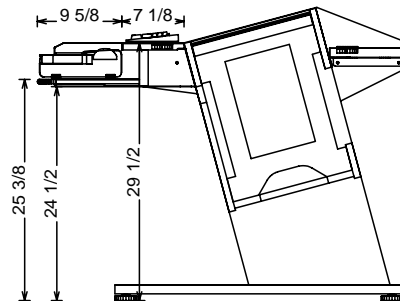
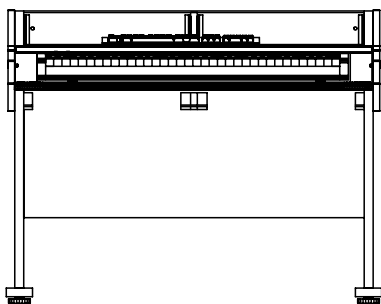
The "Controller" version of the Multi-Station is configured for the small footprint midi controllers that measure up to 10 1/2" deep (or less). This size keyboard allows the qwerty keyboard and mouse / trackball to be placed on the convenient shelf (A) located behind the keyboard.

\*The "2 Bay / Composer / Controller" console can accommodate any keyboard that measures (up to) 5 1/2" high x 10 1/2" deep x 40 3/4" long.

\*Keyboards deeper than 10 1/2" require the "Workstation" console (with "forward keyboard tray") (Page 2)

\*Controllers and pianos that are longer than 40 3/4" require the 3 Bay version of the Multi-Station. The rear shelf includes 2 wire grommets and 3 pre drilled holes for LCD Arms.

The console 'Rear Shelf' includes wire grommets and pre-drilled holes for LCD arms. Provide us with the "make and model" of your controller and we will provide a dimensioned drawing to confirm your choice.



Sterling Modular Systems,inc  
704 East 4th Street, Boyertown PA 19512  
610-369-5802  
www.sterlingmodular.com

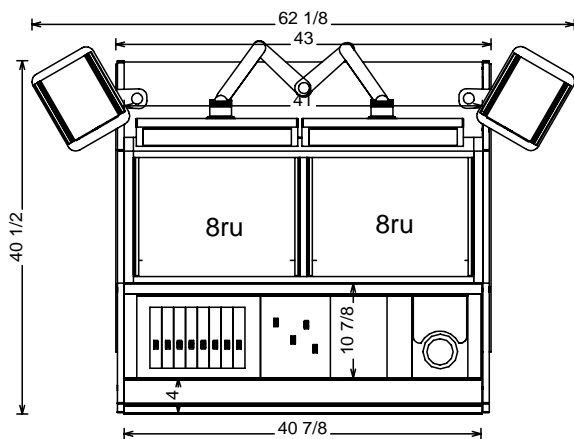


# The Multi - Station

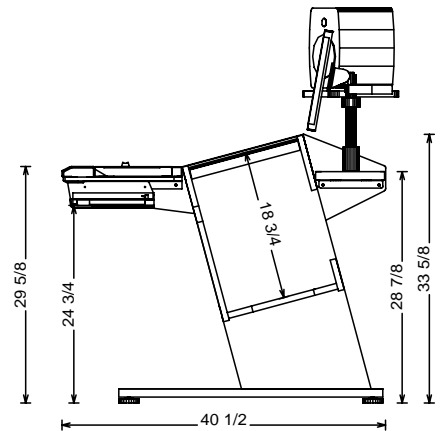
## 2 Bay Footprint & Dimensions

from Sterling Modular

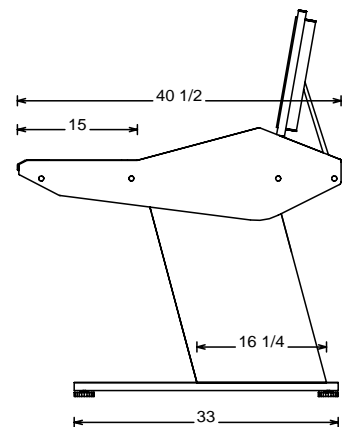
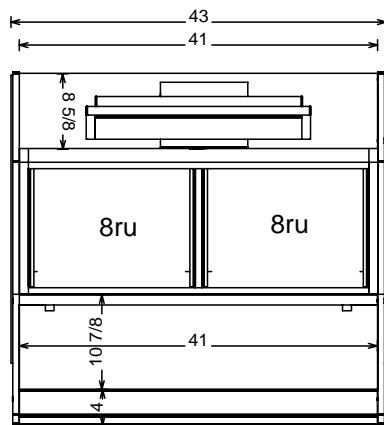
Avid Artist Series



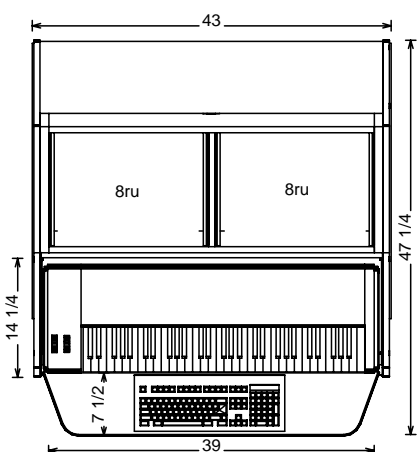
Shown with optional speaker platforms and LCD arms



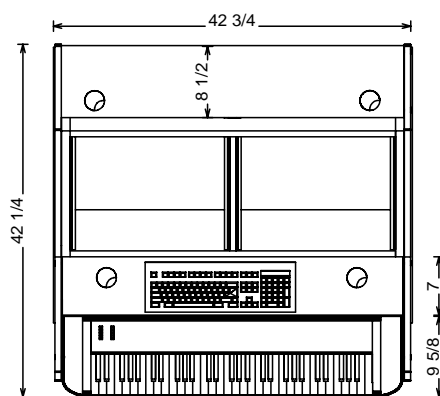
Edit / Mix / Master



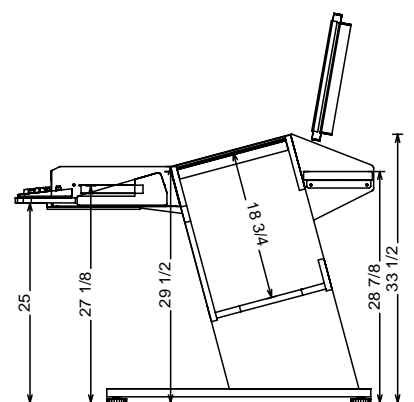
Compose / Record



Workstation (large keyboards)



Controller (small keyboards)



Choose your weapon