

API 1608 + Exp / Plan B

Mixer Conversion Console



All of our "Mixer Conversion" consoles are designed with the same modular components as our "Plan Series" consoles.

The low profile, angular shape, and open architecture insure the lowest possible acoustical impact.

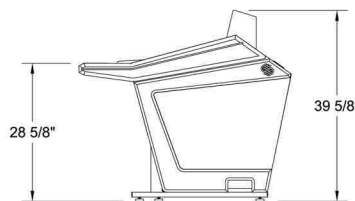
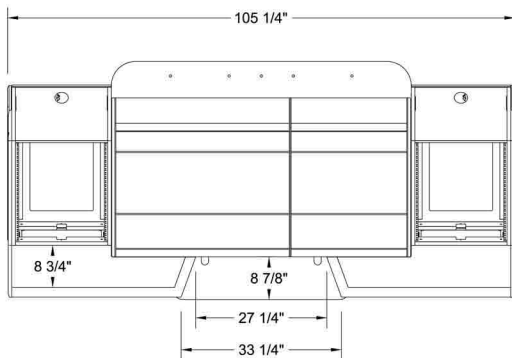
The ergonomic design, equipment capacity and superior "fit and finish" make it the perfect console for your studio.

Each of the (2) outer "rack pods" feature 12ru of space on the top opening, 6ru on the front and 6ru on the rear of the lower section.

Available Options Include

- LCD Arms
- Speaker Platforms
- Hardwood Trim Upgrades
- Padded Bolster

Please call for more information



List Price \$5690.00

Not including Optional Speaker Platforms and LCD Arm
Other Options an configurations are available Please Call

Free Shipping
within the contiguous United States

Sterling Modular Systems,inc

704 East 4th Street, Boyertown PA 19512
www.sterlingmodular.com

610-369-5802