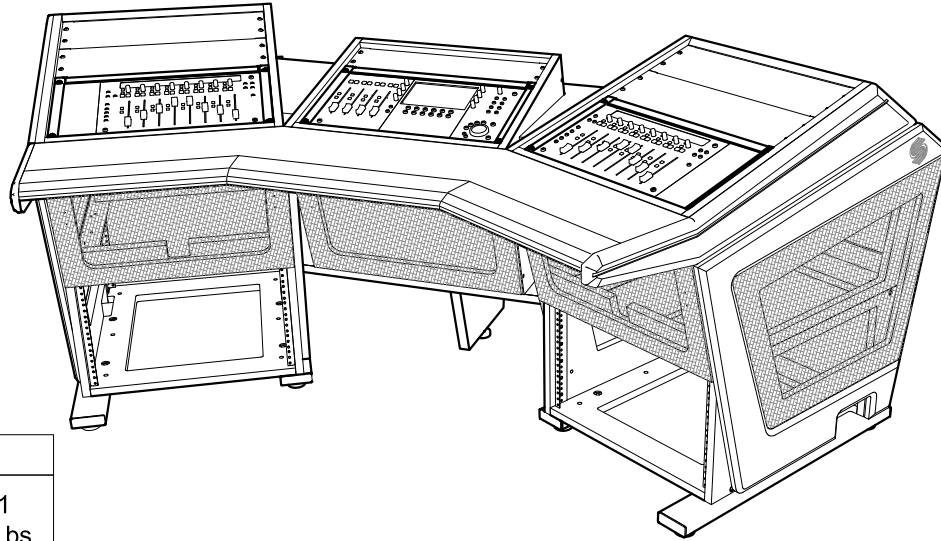
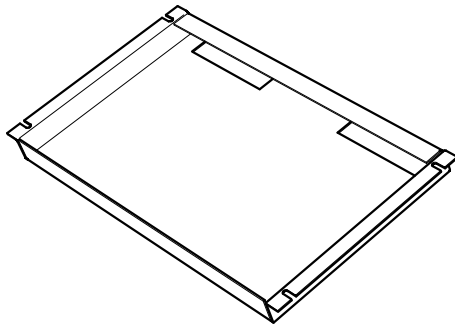


Avid Artist Rack Tray Specifications

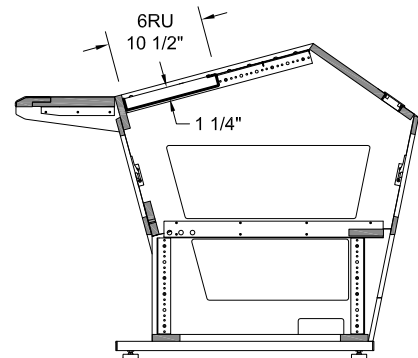
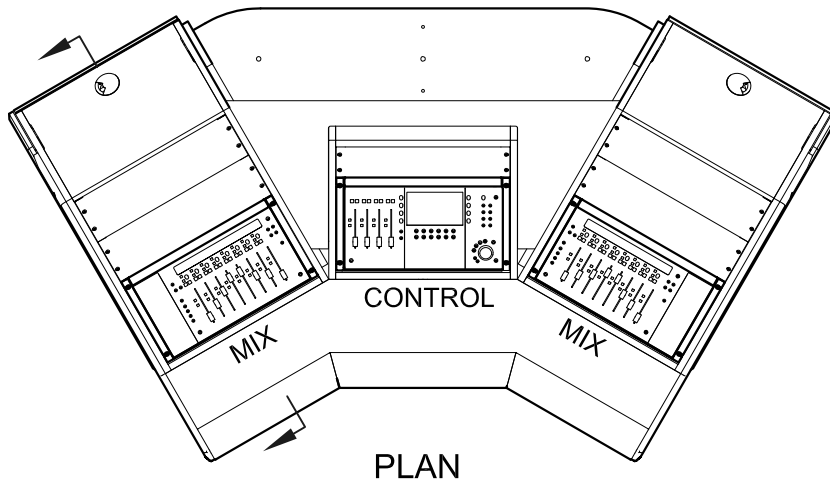


Shipping Info

Number of Boxes - 1
Shipping weight - 12 Lbs



This 6 RU Unit tray is ideal for mounting the Avid Artist Series Control and Mix components into any Rack Space. The Rack Tray has a black powder coated finish and is slotted to allow easy routing of the provided 7' bootless crossover cable.



SECTION